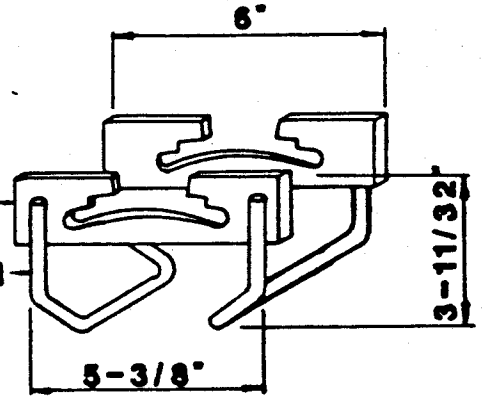


3/8" Rod

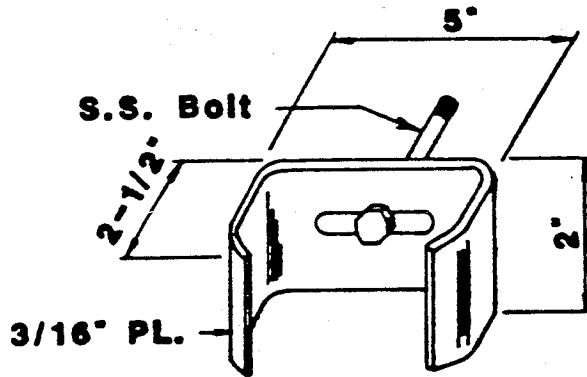
ATH-5 Tile Hanger
304 S.S.

ASTM A-36 Steel

304 S.S. Rod



ATH-73 Tile Hanger



WTH-4S Clip
310 S.S.

Ref: S-776

Plibrico Company
REFRACTORY ENGINEERING & CONSTRUCTION FOR
BOILERS, INCINERATORS, INDUSTRIAL FURNACES
CHICAGO, ILLINOIS NATIONWIDE SERVICE

**Ceramic Tile Alloy
Hangers & Clip**

DATE 9/92	DESIGNED BY	No.	5
--------------	-------------	-----	---

This drawing is the property of the Plibrico Company and is loaned without consideration other than the borrower's agreement that it shall not be reproduced, copied, loaned, or disposed of, directly or indirectly, nor used for any purpose other than that for which it is specifically furnished.