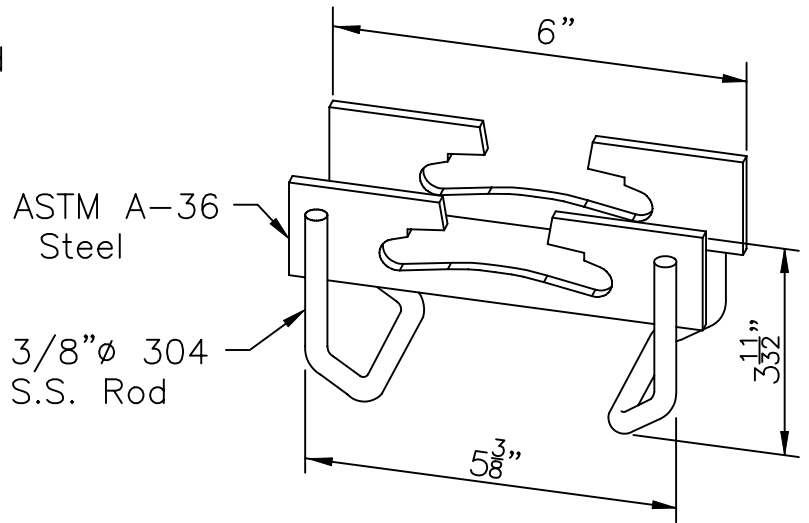
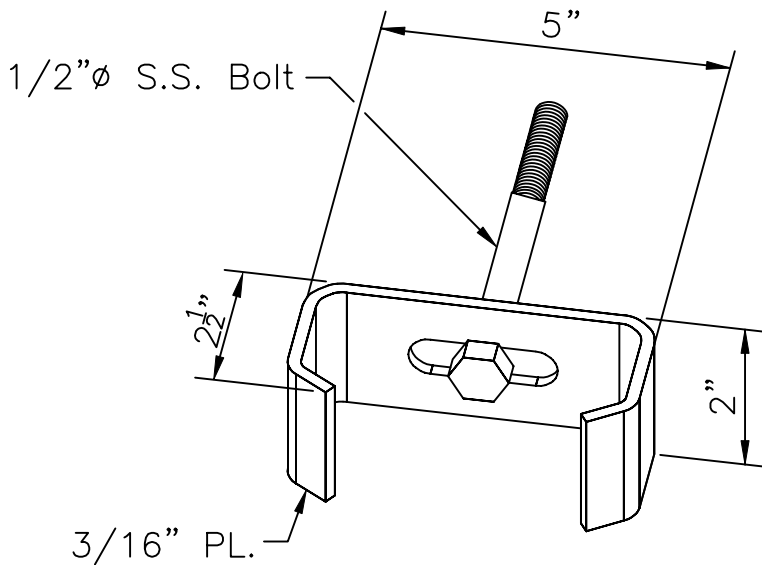


**ATH-5 Tile Hanger**  
**304 S.S.**



**ATH-73 Tile Hanger**



**WTH-4S Clip**  
**310 S.S.**

ref: S-776

**Plibrico Company**

Refractory Engineering & Construction for  
Boilers \* Incinerators \* Industrial Furnaces.  
Chicago, Illinois      Nationwide Service

Ceramic Tile Alloy  
Hangers & Clip

REDRAWN BY: LC	SCALE: N.T.S.
REDRAWN DATE: 5/03	ORG. DATE: 9/92

REV. No. 5

This drawing is the property of PLIBRICO COMPANY and is loaned without consideration other than the borrower's agreement that it shall not be reproduced, copied, loaned or disposed of, directly or indirectly, nor used for any purpose other than that for which it is specifically furnished.