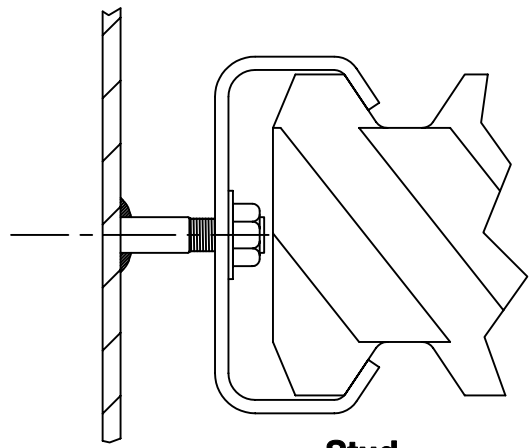
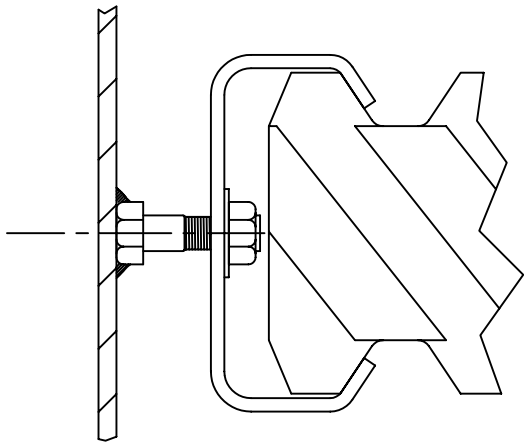


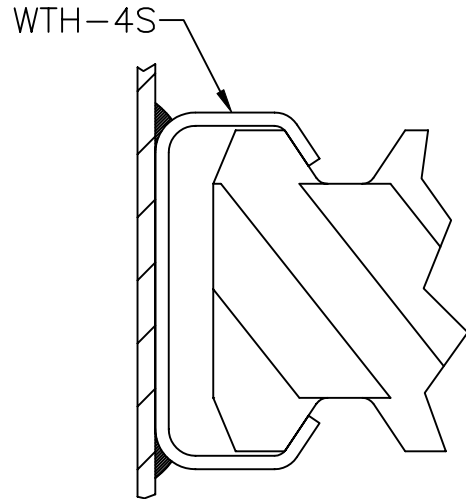
**Thru Bolt**



**Stud**



**Welded Bolt**



**Welded Clip**

Wall Thickness	Tile Size	1/2" $\phi$ Welded Bolt	1/2" $\phi$ Welded Stud	1/2" $\phi$ Thru Bolt
9 $\frac{1}{2}$ "	T-12	*	*	2 $\frac{1}{2}$ " LONG
10 $\frac{1}{2}$ "	T-12	1 $\frac{1}{2}$ " LONG	2" LONG	3" LONG
12"	T-13	*	*	2 $\frac{1}{2}$ " LONG
13 $\frac{1}{2}$ "	T-13	2 $\frac{1}{4}$ " LONG	2 $\frac{1}{2}$ " LONG	3 $\frac{3}{4}$ " LONG
14"	T-14	*	*	2 $\frac{1}{4}$ " LONG
15 $\frac{1}{2}$ "	T-14	1 $\frac{3}{4}$ " LONG	2 $\frac{1}{4}$ " LONG	3 $\frac{1}{4}$ " LONG
16 $\frac{1}{2}$ "	T-15	*	*	2 $\frac{1}{4}$ " LONG
18"	T-15	2" LONG	2 $\frac{1}{4}$ " LONG	3 $\frac{1}{2}$ " LONG

**NOTE:** If bolt needs double-nut at casing plate for thru bolts, add 1/2" to length of specified bolt.

ref: B-177-9

\* = No bolt needed.  
Weld WTH-4S to casing.

<b>Plibrico Company</b>	
Refractory Engineering & Construction for Boilers * Incinerators * Industrial Furnaces. Chicago, Illinois      Nationwide Service	
Ceramic Tiles as Wall Anchors	
REDRAWN BY: LC	SCALE: N.T.S.
REDRAWN DATE: 5/03	ORG. DATE: 9/92
REV.	No. 7

This drawing is the property of PLIBRICO COMPANY and is loaned without consideration other than the borrower's agreement that it shall not be reproduced, copied, loaned or disposed of, directly or indirectly, nor used for any purpose other than that for which it is specifically furnished.