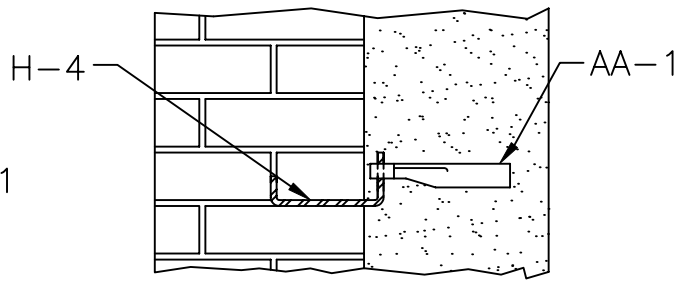
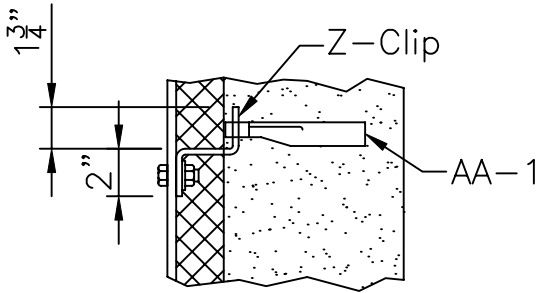


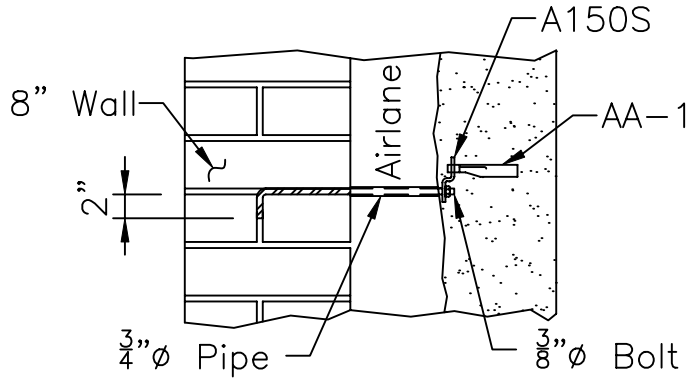
Steel Cased Sidewall



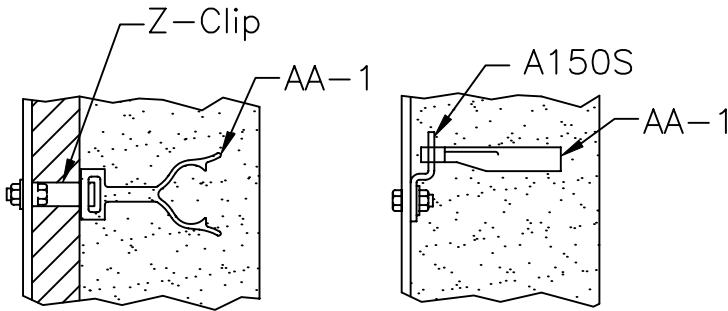
Solid Sidewall



Steel Cased Sidewall

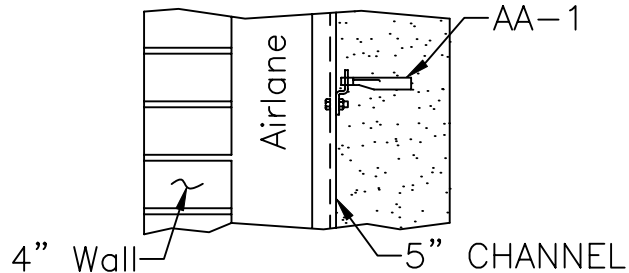


Air Cooled Sidewall

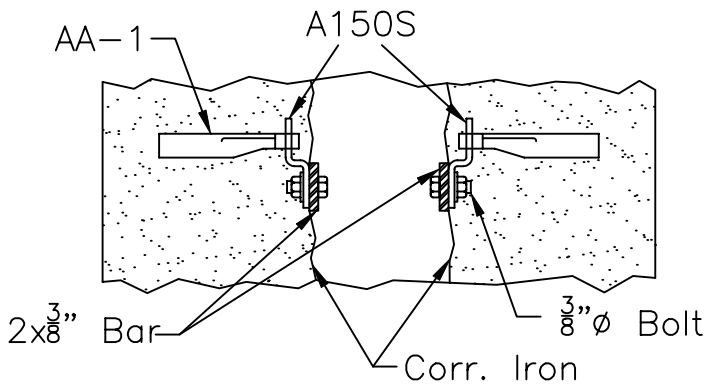


Plan of thin wall

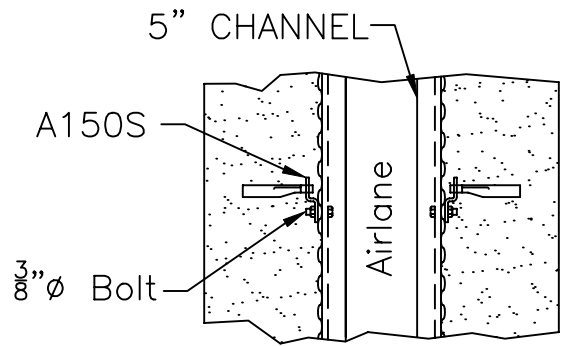
Plibrico Front Wall



Air Cooled Sidewall



Air Cooled Core Wall



Air Cooled Core Wall

ref: B-177-1

Plibrico Company

Refractory Engineering & Construction for
Boilers * Incinerators * Industrial Furnaces.
Chicago, Illinois Nationwide Service

Flexo Anchor
Installation

REDRAWN BY:	LC	SCALE:	N.T.S.
REDRAWN DATE:	5/03	ORIG. DATE:	9/92
REV.	No. 33		

This drawing is the property of PLIBRICO COMPANY and is loaned without consideration other than the borrower's agreement that it shall not be reproduced, copied, loaned or disposed of, directly or indirectly, nor used for any purpose other than that for which it is specifically furnished.